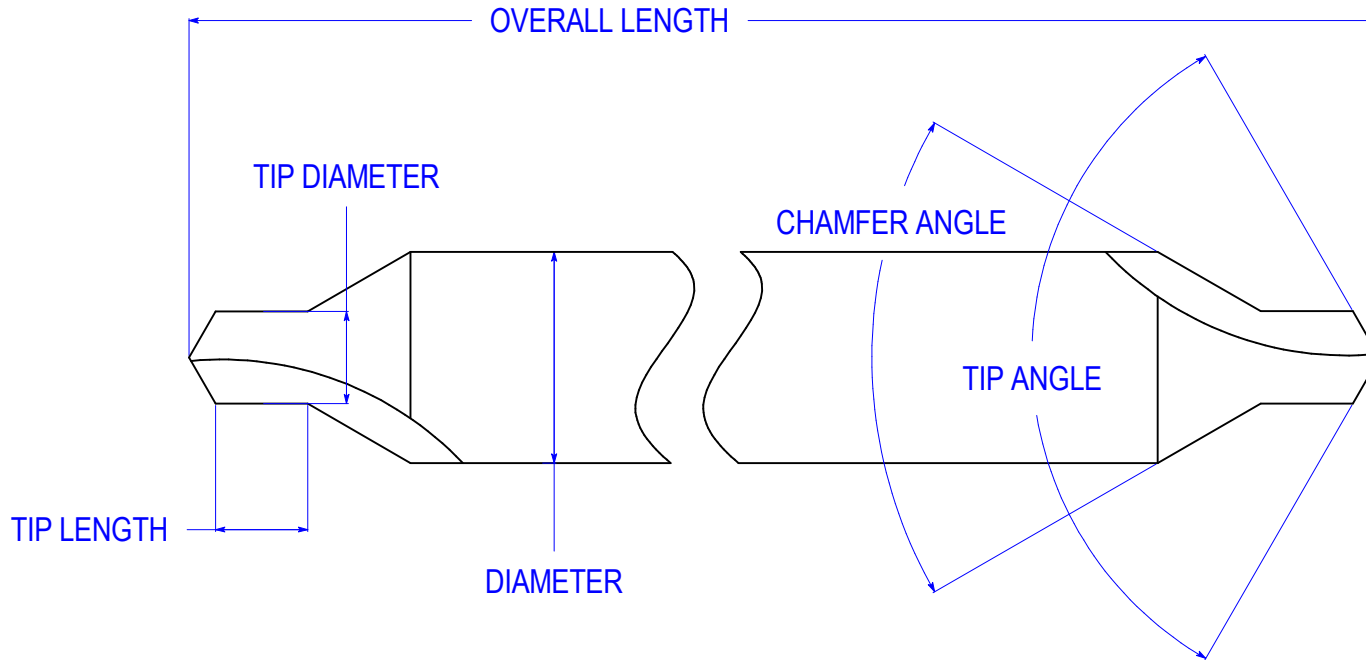


FILL IN THE BLANKS BELOW AND FAX TO 909-392-2627 OR EMAIL TO SALES@INTERNALTOOL.COM

# SERIES 71 CENTER DRILL

IF YOUR NOT SURE OF A DIMENSION  
LEAVE IT BLANK AND WE WILL QUOTE THE STANDARD.  
IT'S CHEAPER THAT WAY



NOTES

QUOTE IN QUANTITIES OF \_\_\_\_\_

COMPANY  
NAME

YOUR NAME

PHONE #

EMAIL

YOUR  
DISTRIBUTOR

## INTERNAL TOOL

DRAWN BY:	DATE	TOLERANCE
TOOL NUMBER:		.X +/- .015 .XX +/- .005 .XXX +/- .002

TYPE OF MATERIAL TO BE CUT