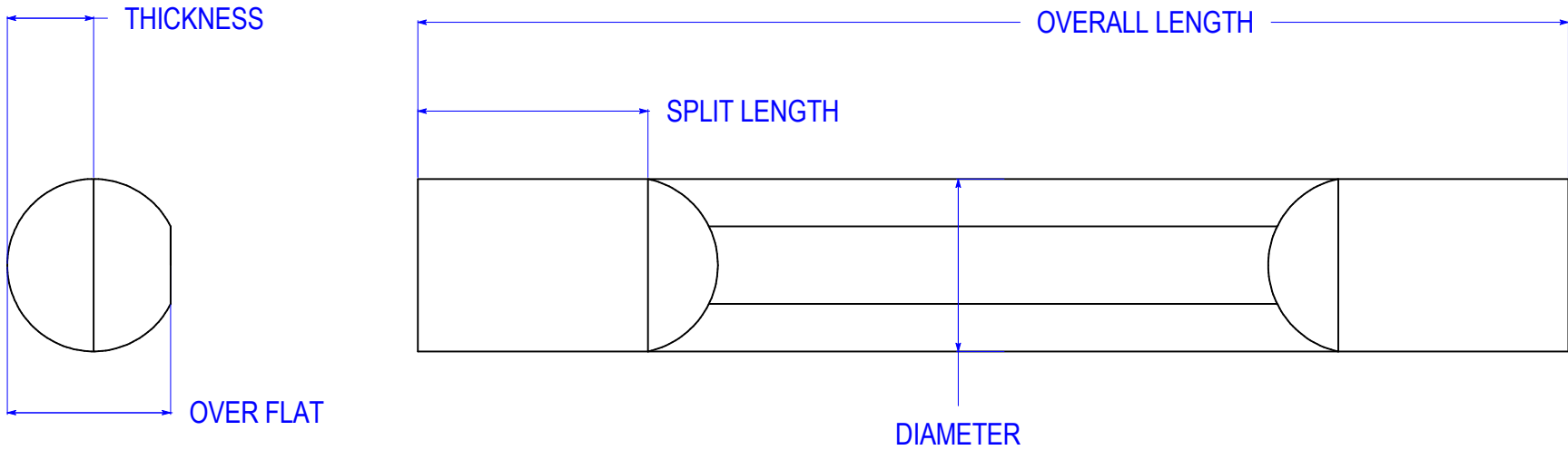


FILL IN THE BLANKS BELOW AND FAX TO 909-392-2627 OR EMAIL TO SALES@INTERNALTOOL.COM

# SERIES 70 SPLIT BLANK

IF YOUR NOT SURE OF A DIMENSION  
LEAVE IT BLANK AND WE WILL QUOTE THE STANDARD.  
IT'S CHEAPER THAT WAY



NOTES

QUOTE IN QUANTITIES OF \_\_\_\_\_

COMPANY  
NAME

YOUR NAME

PHONE #

EMAIL

YOUR  
DISTRIBUTOR

**INTERNAL TOOL**

DRAWN BY:

DATE

TOLERANCE

TOOL NUMBER:

.X +/- .015  
.XX +/- .005  
.XXX +/- .002

TYPE OF MATERIAL TO BE CUT