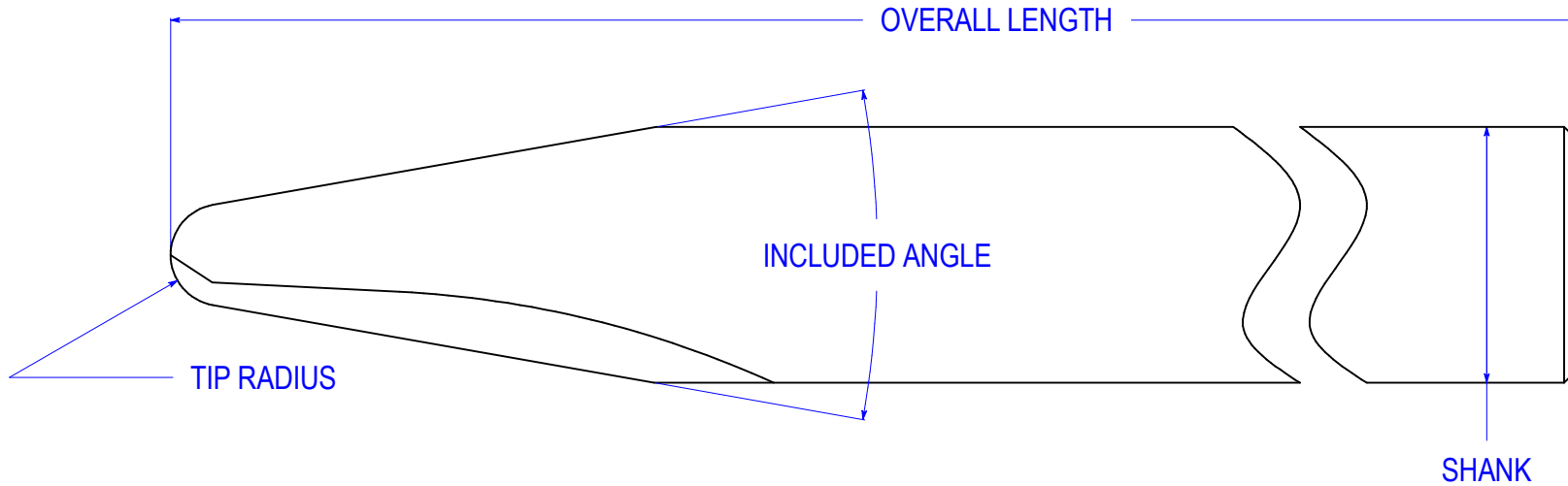


FILL IN THE BLANKS BELOW AND FAX TO 909-392-2627 OR EMAIL TO SALES@INTERNALTOOL.COM

SERIES 61 RUNNER CUTTER

IF YOUR NOT SURE OF A DIMENSION
LEAVE IT BLANK AND WE WILL QUOTE THE STANDARD.
IT'S CHEAPER THAT WAY



2 FLUTE STRAIGHT

NOTES

QUOTE IN QUANTITIES OF _____

COMPANY
NAME

YOUR NAME

PHONE #

EMAIL

YOUR
DISTRIBUTOR

INTERNAL TOOL

DRAWN BY:

DATE

TOLERANCE

TOOL NUMBER:

.X +/- .015
.XX +/- .005
.XXX +/- .002

TYPE OF MATERIAL TO BE CUT